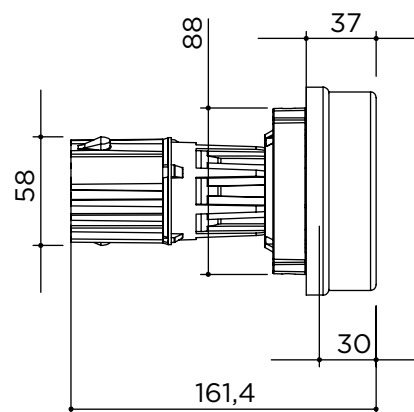
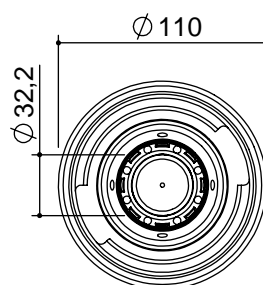


KOCKON CL2 KALIBER 105

Fuel antitheft device KOCKON CL2 KALIBER 105. For tanks necks having 2-points internal bayonet fitting 105mm.

-DAF: all models -MAN: all models -VOLVO: all models -MERCEDES: all models -RENAULT: Premium, Magnum, Midlum with metal tank neck -IVECO: Stralis, EuroStar, EuroTec, Trakker, EuroTrakker -DOOSAN: all models with metal tank neck -LIEBHERR: all models with metal tank neck



CODE	DESCRIPTION
580421001	KOCKON CL2 KALIBER 105

TECHNICAL DATA

SPECIFICATIONS

Main body material	20/10 Steel S235JR and Zinc-Magnesium Alloy
Gasket material	HNBR, suitable for immersion in the fuel
Finishing	Cataphoresis coated + black epoxy powder coated
Weight	1,25 kg
Fuel Flow Rate (lt/min)	120
Assembly	The product is supplied ready to use
Package type	Carton box
Package dimensions (cm)	12,5x12,5x16,5
Package contents	Anti-theft device, adapter, multilanguage manual
Multipack	10 pcs in master carton box
Multipack dimensions (cm)	39,0x26,0x33,0

ACCESSORIES

code	item	description	qty
061020001	Fuel Pistol with 32mm nozzle	Manufactured by ZVA with 120 Lt/min flow capacity	
050920001	REPLACEMENT FUEL CAP 105 BAYONET	Locking Cap for 105 bayonet mounts.	
054501012	GENESIS UNIVERSAL MOUNTING TOOL	Tool to assist installation of Kockon products	
584500001	ADAPTER FOR 25MM DIA. FUEL NOZZLE	Adapter for nozzle Ø 25 mm	

SPARE PARTS

code	item	description	qty
584500001	ADAPTER FOR 25MM DIA. FUEL NOZZLE	Adapter for nozzle Ø 25 mm	
050920001	REPLACEMENT FUEL CAP 105 BAYONET	Locking Cap for 105 bayonet mounts.	

KOCKON CL2 KALIBER 105

SPARE PARTS

code	item	description	qty
050707011	GASKET KOCKON 105 UNIVERSAL	Mounting seal 105	
050707028	Insertion gasket for KOCKON 105	Insertion gasket for KOCKON 105	